

Parabolic antenna JRC-24DD DuplEX

Dual-polarized parabolic antenna **JRC-24DD DuplEX** is designed for directional links with **full-duplex mode** or MIMO mode at the frequency band 5 GHz with high isolation level. The antenna is designed for medium and short distances in difficult conditions. **Its design with deep dish increases isolation among antennas on a mast and increases front to back ratio.**

Other models: **JRC-24DD-SX DuplEX** – antenna with stainless steel holder for adverse corrosive conditions
JRC-24DD DuplEX Precision – antenna with precision holder JDMW-900 AR

Electrical parameters:

Frequency range	4.9 – 6.1 GHz
Gain	24.5 ± 1 dBi
VSWR 5.1 – 5.9 GHz	≤ 1.6
Beamwidth -3 dB	9.0°
Port to port isolation 5.1 – 5.9 GHz	≥ 50 dB (typ. 53 dB) (rest of the freq. range ≥ 43 dB)
Front to Back ratio	≥ 44 dB
Polarization	Linear, vertical/horizontal or 45°

Mechanical parameters:

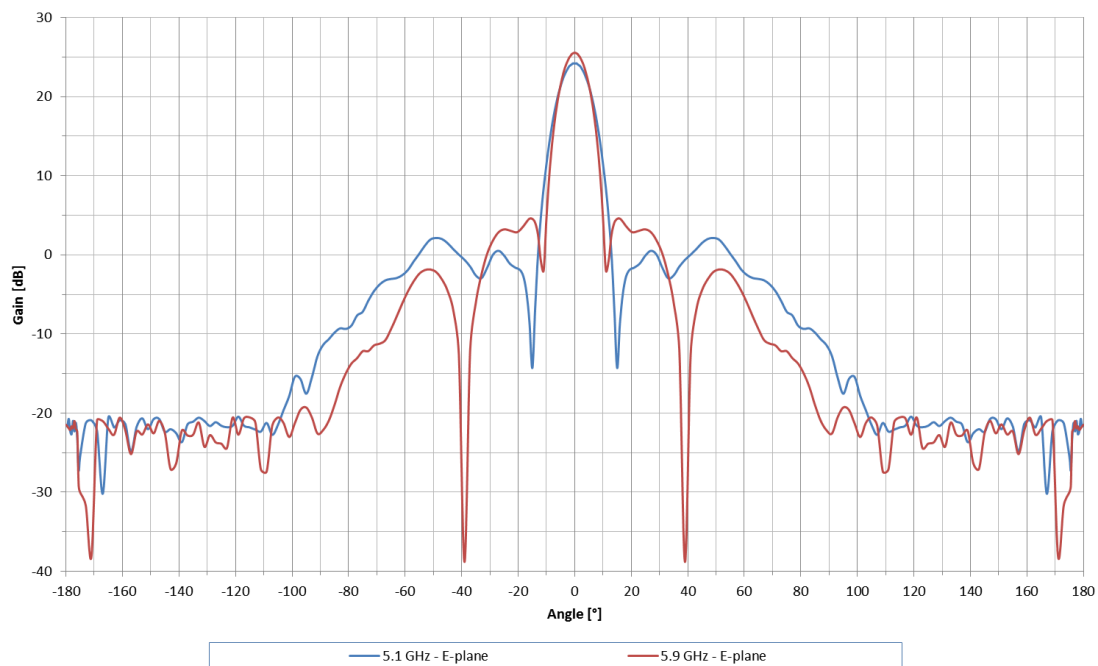
Parabola	Ø 400 mm, Aluminium alloy
Radome	UV steady plastic ABS
Type of connector	N-female, R-SMA
Installation for mast	Ø 27 - 74 mm
Weight of antenna	2.5 kg (5.5 lbs.)
Shipping dimensions - 2 pcs	460 x 460 x 190 mm/5.7 kg (12.6 lbs.)

The antenna can be used in combination with the outdoor metal box JR – 350 Alu for AP, RouterBOARDS and other electronics or with holder GentleCLIP for easy installation devices with the clipped system. The antenna has separate latching nuts for easy mounting and adjustment of the azimuth and elevation. Right and left side mounting possible.

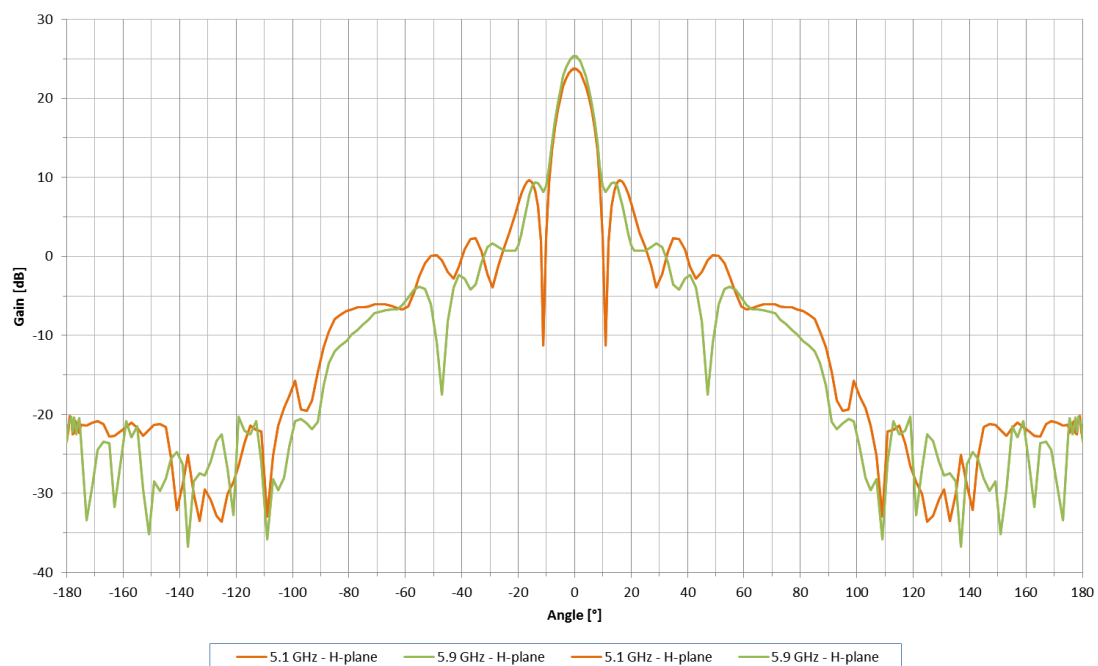
Parabolic antenna JRC-24DD DuplEX

Measurement of radiation pattern:

JRC-24DD DuplEX - E-plane

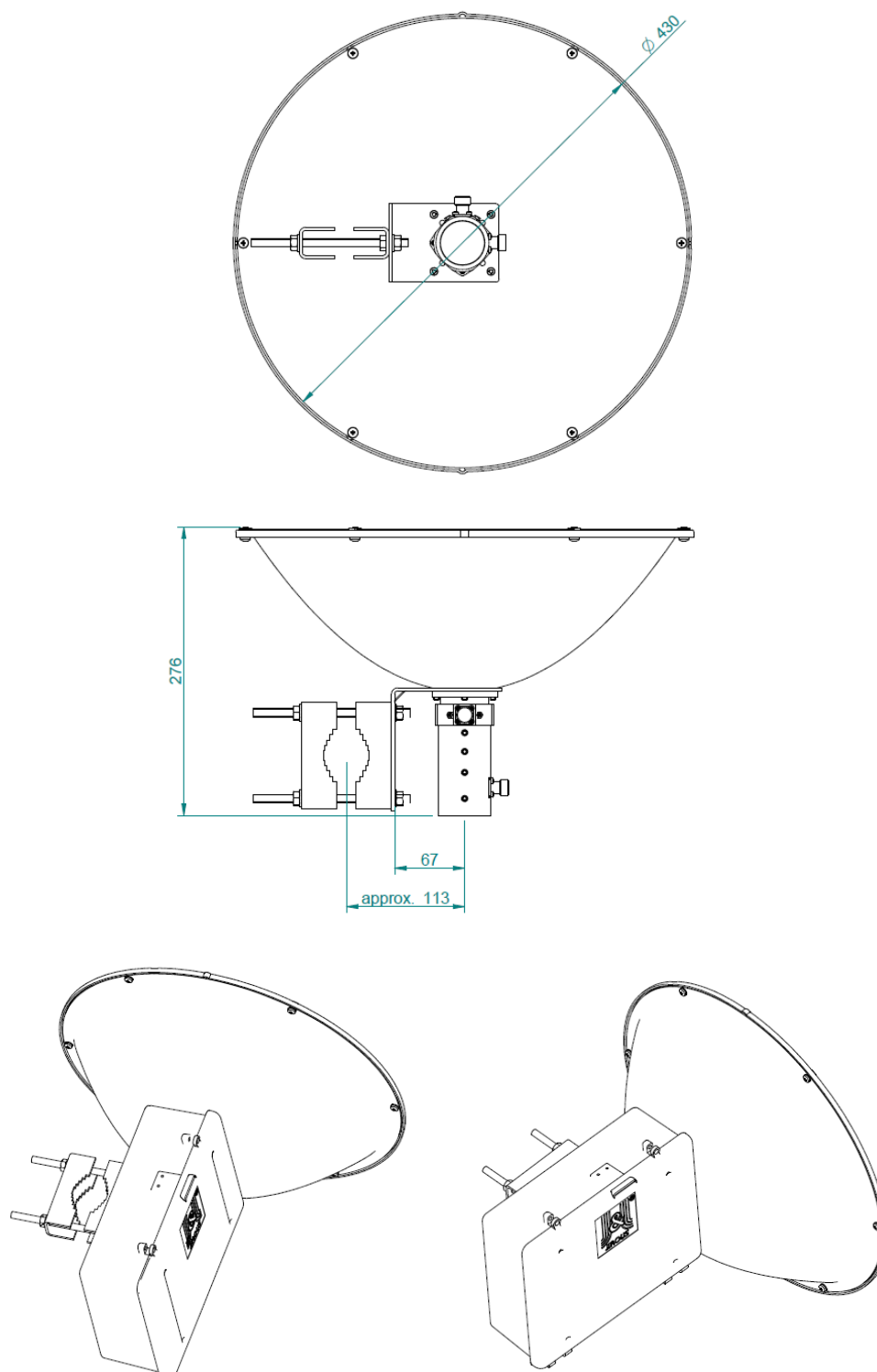


JRC-24DD DuplEX - H-plane



Parabolic antenna JRC-24DD DuplEX

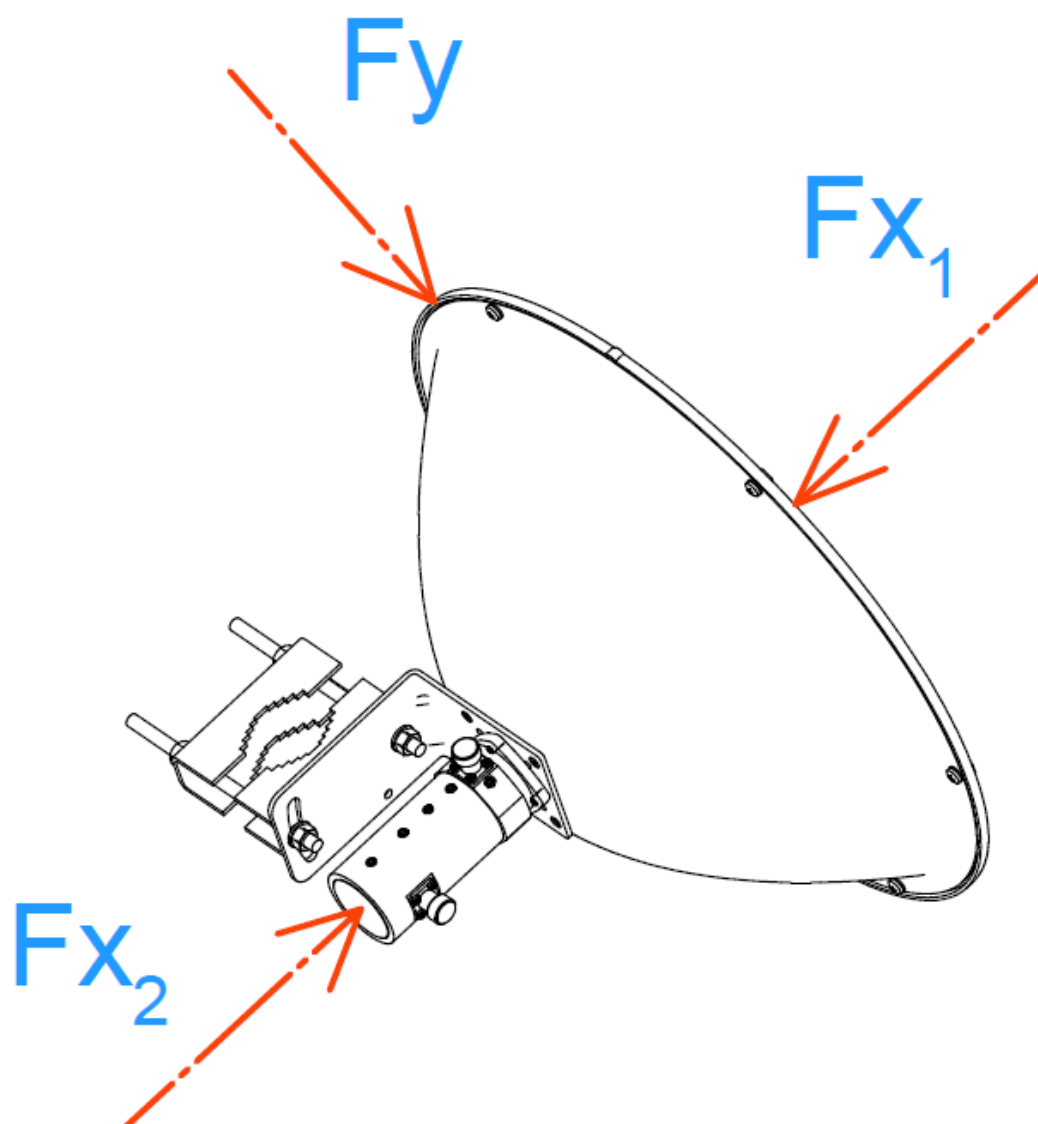
Outline:



Accessories: outdoor metal box JR – 350 Alu – right side mounting only, polarization 45° not possible

Parabolic antenna JRC-24DD DuplEX

Wind loading:



Wind Loading at 250 km/h (125 mph)		
Direction	Force [N]	Force [lbf]
Fx1	344	77,3
Fx2	313	70,3
Fy	17	4